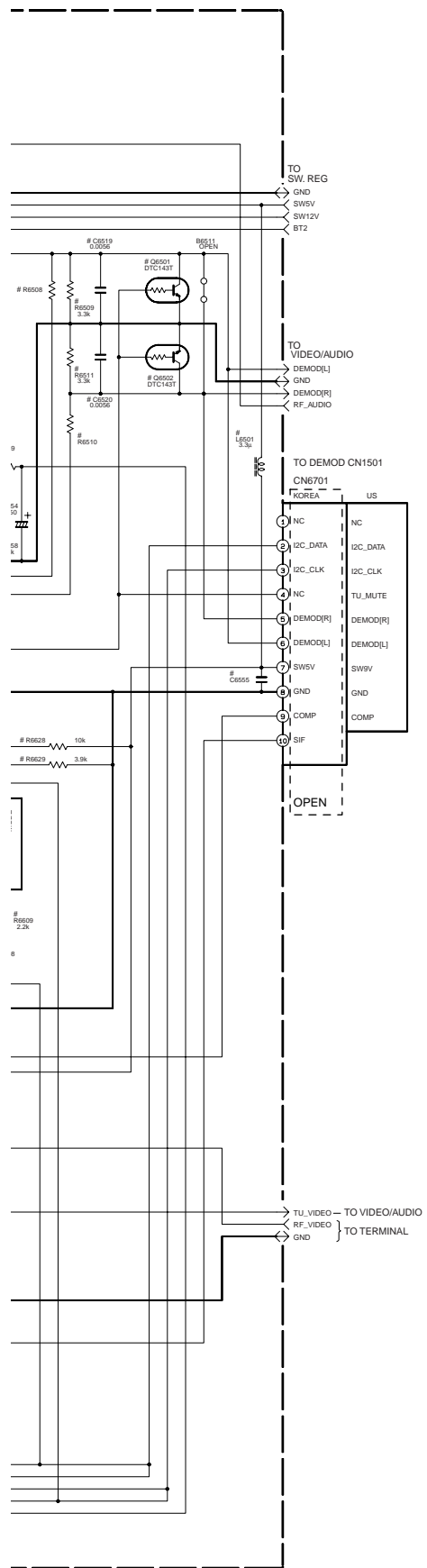


Note : The Parts Number, value and rated voltage etc. in the Schematic Diagram are for references only.
When replacing the parts, refer to the Parts List.

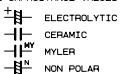


DIFFERENCE TABLE

○ Used
× Not used

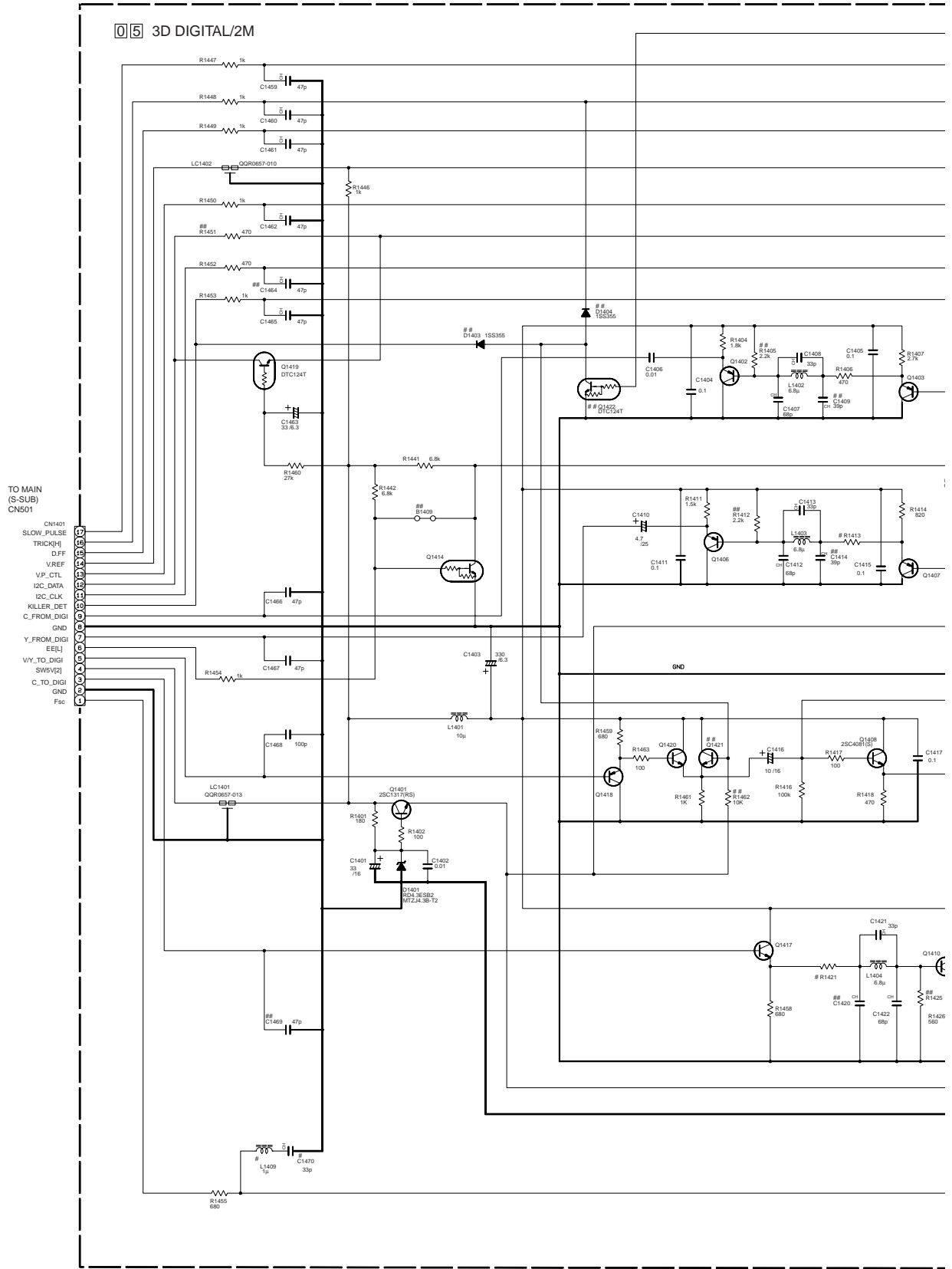
		JPN	US	KR
TUNER				
AFC	B6020	×	○	○
MUTE	Q6031, R6034, C6033	×	×	×
RF CONV	L6003, L6050, R6050, R6051	×	○	○
US AUDIO	R6032	×	○	×
SV	C6007	○	×	×
	C6005, C6008, C6012, C6013, C6020, C6021, C6052, C6053	×	×	×
DEM0D				
UNIT	CN6701	×	US	KR
MUTE	Q6501, Q6502	×	×	×
REG	Q6551, D6551, R6551, R6552	○	○	×
I2C	R6550, R6551	×	○	○
AUDIO OUT	R6508, R6510	12k	0	0
	R6509, R6511, C6519, C6520	○	×	×
JPN	IC6601, IC6650, D6600, R6601, R6607, R6609, R6628, R6629, R6650, R6661, C6601, C6605, C6609, C6613, C6617, C6619, C6650, C6654 R6650, R6651	○	×	×
KR	L6001	×	×	○

NOTES: UNLESS OTHERWISE SPECIFIED.
ALL RESISTANCE VALUES ARE IN OHMS.
ALL INDUCTANCE VALUES ARE IN H.
ALL CAPACITANCE VALUES ARE IN μF.



4.3 3D DIGITAL/2M SCHEMATIC DIAGRAM

05 3D DIGITAL/2M

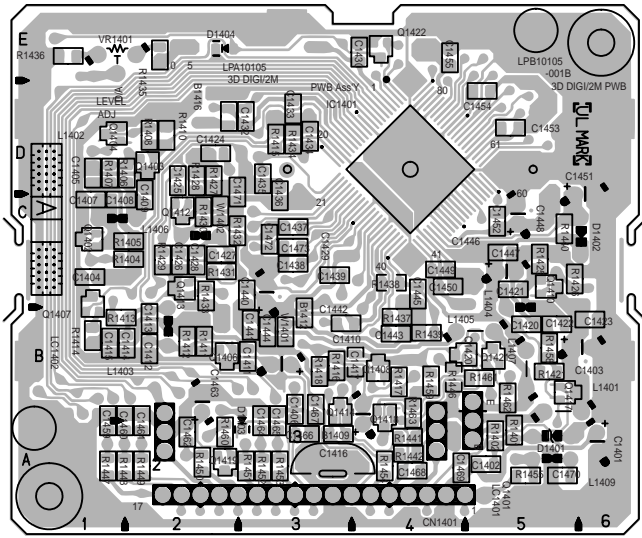


NOTES: UNLESS OTHERWISE SPECIFIED.
 ALL RESISTANCE VALUES ARE IN OHMS.
 ALL INDUCTANCE VALUES ARE IN H.
 ALL CAPACITANCE VALUES ARE IN μ F.

ELECTROLYTIC
 CERAMIC
 MYLER
 NON POLAR

4.4 3D DIGITAL/2M CIRCUIT BOARD

<05> 3D DIGITAL/2M
LPB10105-001B



COMPONENT PARTS LOCATION GUIDE <3D DIGITAL/2M>

REF.NO.	LOCATION	REF.NO.	LOCATION	REF.NO.	LOCATION	REF.NO.	LOCATION
CAPACITOR							
C1401	A D 6A	C1446	A D 5C	L1407	A D 5B	R1429	B C 2C
C1402	B C 5A	C1447	B C 5C	L1409	A D 5A	R1430	B C 2C
C1403	A D 5B	C1448	A D 5C	TRANSISTOR			
C1404	B C 1C	C1449	B C 4C	Q1401	A D 5B	R1431	B C 2C
C1405	B C 1D	C1450	A D 5D	Q1402	B C 1C	R1432	B C 2C
C1406	B C 3B	C1451	B C 5C	Q1403	B C 2D	R1433	B C 2C
C1407	B C 1C	C1452	B C 5D	Q1404	B C 1D	R1435	B C 2E
C1408	B C 1C	C1453	B C 5D	Q1406	B C 2B	R1436	B C 1E
C1409	B C 2C	C1454	B C 5D	Q1407	B C 1C	R1437	B C 4B
C1410	A D 3B	C1455	B C 4E	Q1408	B C 4B	R1438	B C 4C
C1411	B C 3B	C1459	B C 1B	Q1410	B C 5C	R1439	B C 4B
C1412	B C 2B	C1460	B C 2B	Q1412	B C 2C	R1440	B C 5C
C1413	B C 2B	C1461	B C 2B	Q1413	B C 2C	R1441	B C 4A
C1414	B C 2B	C1462	B C 2A	Q1414	B C 3B	R1442	B C 4A
C1415	B C 1B	C1463	A D 2B	Q1417	B C 5B	R1446	B C 4B
C1416	A D 4A	C1464	B C 3B	Q1418	B C 4B	R1447	B C 1A
C1417	B C 4B	C1465	B C 3B	Q1419	B C 2A	R1448	B C 2A
C1420	B C 5B	C1466	B C 3A	Q1420	B C 4B	R1449	B C 2A
C1421	B C 5C	C1467	B C 3B	Q1421	B C 5B	R1450	B C 2A
C1422	B C 5C	C1468	B C 4A	Q1422	B C 4E	R1451	B C 3A
C1423	B C 6B	C1469	B C 4A	RESISTOR			
C1424	B C 2D	C1470	B C 5A	R1401	B C 5A	R1452	B C 3A
C1425	B C 2D	C1471	B C 2D	R1402	B C 5A	R1453	B C 3A
C1426	B C 2C	C1472	B C 3C	R1404	B C 2C	R1454	B C 4A
C1427	B C 2C	C1473	B C 3C	R1405	B C 2C	R1455	B C 5A
C1428	B C 2C	CONNECTOR				R1458	B C 5B
C1429	A D 3C	CN1401	A D 5A	R1407	B C 2C	R1459	B C 4B
C1430	B C 4E	DIODE				R1460	B C 2A
C1432	B C 3D	D1401	A D 5A	R1408	B C 1D	R1461	B C 5B
C1433	B C 3D	D1402	A D 6C	R1410	B C 2D	R1462	B C 5B
C1434	B C 3D	D1403	B C 3B	R1411	B C 2B	R1463	B C 4B
C1435	B C 3D	D1404	B C 2E	R1412	B C 1B	VR1401	A D 1E
C1436	B C 3C	IC				OTHER	
C1437	B C 3C	IC1401	B C 4D	R1414	B C 1B	LC1401	A D 4A
C1438	B C 3C	COIL				R1415	B C 3D
C1439	B C 3C	L1401	A D 5B	R1416	B C 3B		
C1440	B C 3C	L1402	A D 2C	R1417	B C 4B		
C1441	B C 3B	L1403	A D 2B	R1418	B C 3B		
C1442	B C 4B	L1404	A D 5C	R1421	B C 5B		
C1443	B C 3B	L1405	A D 4B	R1425	B C 5C		
C1444	B C 3B	L1406	A D 2C	R1426	B C 5C		
C1445	B C 4C			R1427	B C 2D		
				R1428	B C 2D		